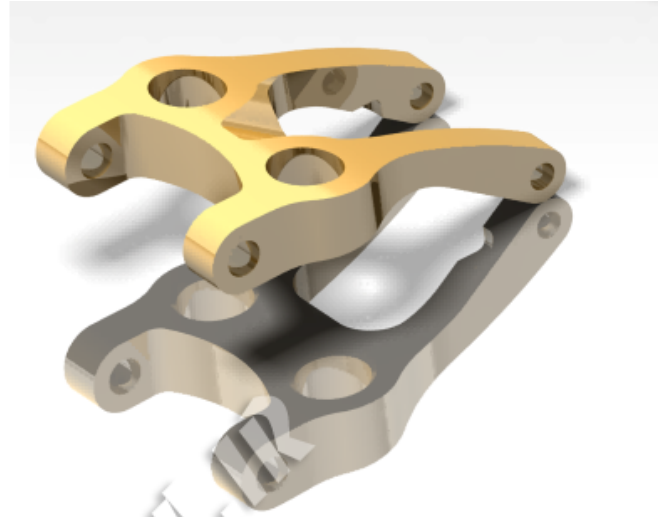
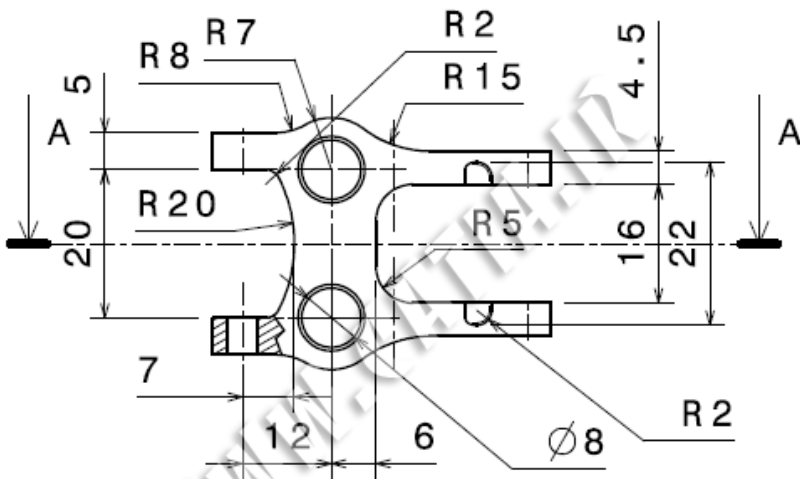




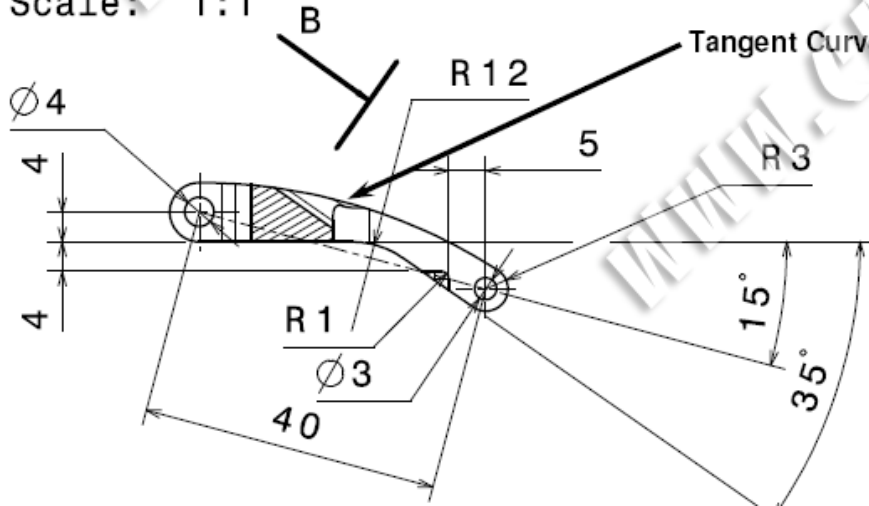
تمرین محیط Part Design

Material: GOLD
Mass: 0.071 kg



Section view A-A
Scale: 1:1

Chamfer: 0.5x45



Auxiliary View B

